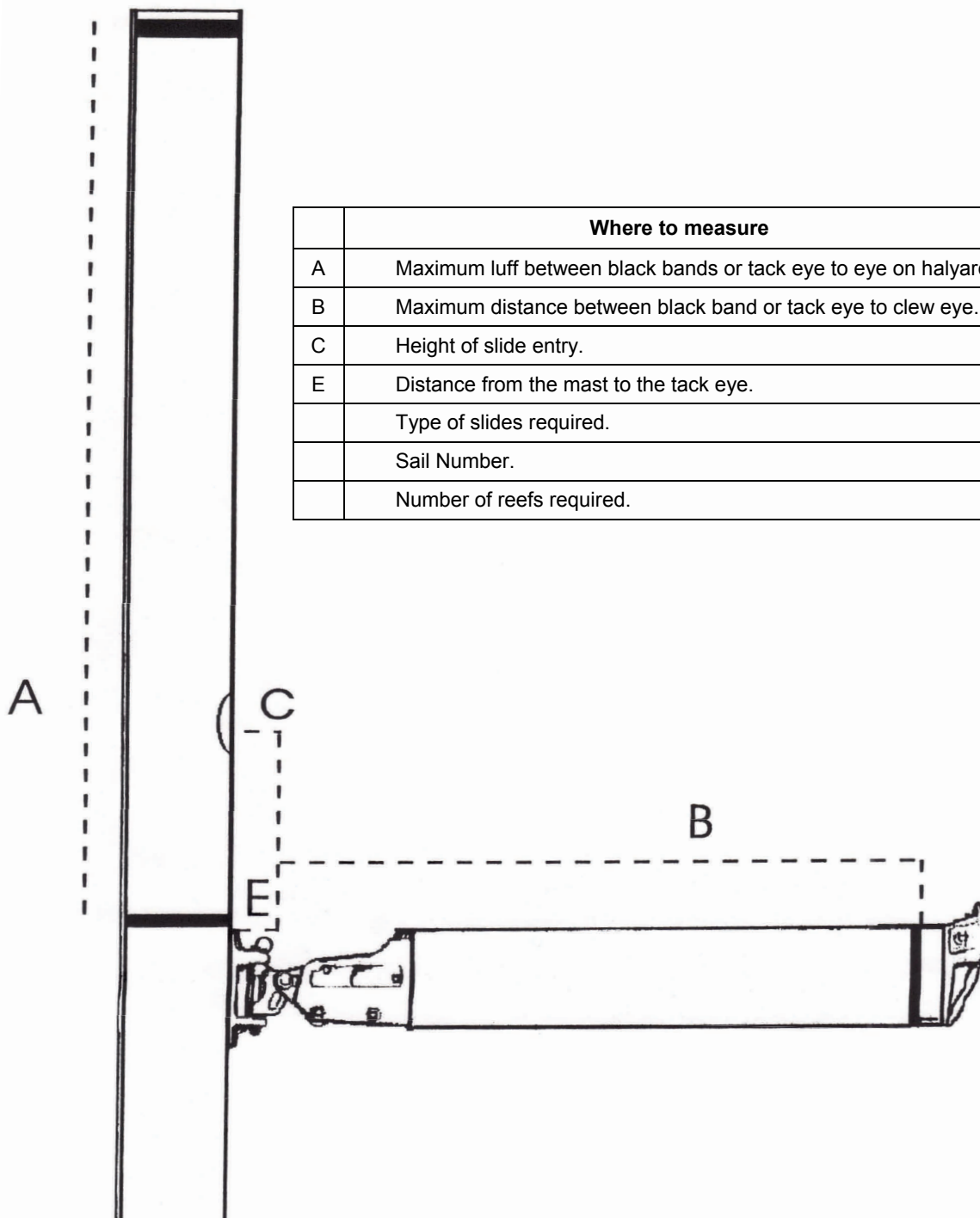


Mainsail Measurement Form

	Where to measure	
A	Maximum luff between black bands or tack eye to eye on halyard.	
B	Maximum distance between black band or tack eye to clew eye.	
C	Height of slide entry.	
E	Distance from the mast to the tack eye.	
	Type of slides required.	
	Sail Number.	
	Number of reefs required.	



Name.

Type of boat.